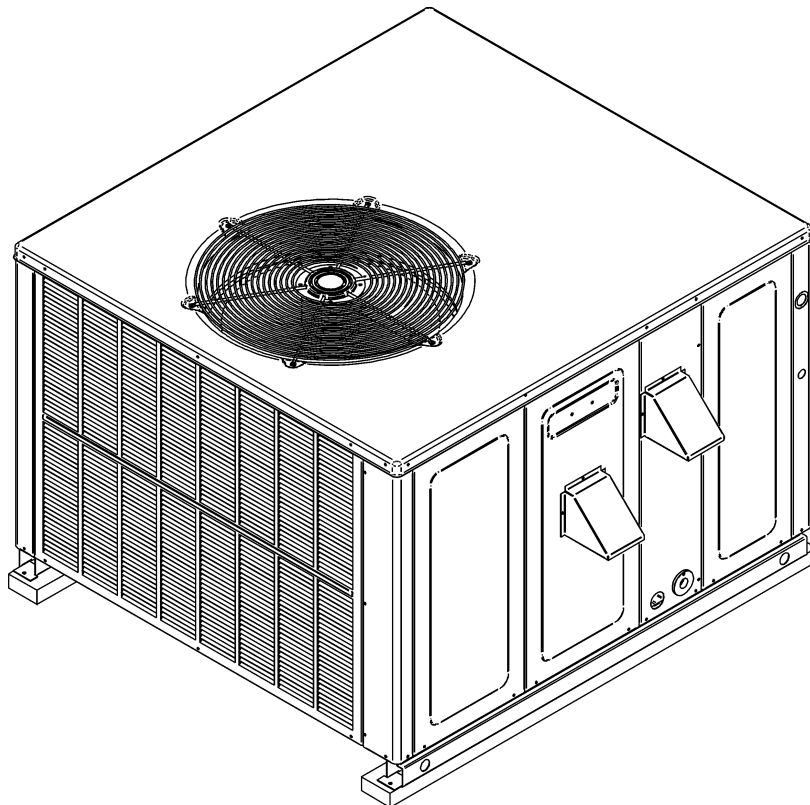


GPG14 "M" Series Residential Package Gas Unit

GPG1424040M41AA
GPG1424060M41AA
GPG1430040M41AA
GPG1430060M41AA
GPG1436040M41AA
GPG1436060M41AA
GPG1436080M41AA
GPG1442060M41AA
GPG1442080M41AA
GPG1448060M41AA
GPG1448080M41AA
GPG1448100M41AA
GPG1460080M41AA
GPG1460100M41AA
GPG1460120M41AA



This manual is to be used by qualified technicians only.

© 2014 Goodman Manufacturing Company, L.P. ♦ 5151 San Felipe St., Suite 500 ♦ Houston, TX 77056

Important Information

Index

Functional Parts List	3
Illustration and Parts	4 - 15

Views shown are for parts illustrations only, not servicing procedures

2015 Ready models.

Text Codes:

AR - As Required

NA - Not Available

NS - Not Shown

00000000 - See Note

QTY - Quantity Example (QTY 3) (If Quantity not shown, Quantity = 1)

M - Model Example (M1) (If M Code not shown, then part is used on all Models)

Expanded Model Nomenclature:

Example M1 - Model#1 M2 - Model#2 M3 - Model#3

Goodman Manufacturing Company, L.P. is not responsible for personal injury or property damage resulting from improper service. Review all service information before beginning repairs.

Warranty service must be performed by an authorized technician, using authorized factory parts. If service is required after the warranty expires, Goodman Manufacturing Company, L.P. also recommends contacting an authorized technician and using authorized factory parts.

Goodman Manufacturing Company, L.P. reserves the right to discontinue, or change at any time, specifications or designs without notice or without incurring obligations.

For assistance within the U.S.A. contact:
Consumer Affairs Department
Goodman Manufacturing Company, L.P.
7401 Security Way
Houston, Texas 77040
877-254-4729-Telephone
713-863-2382-Facsimile

For assistance outside the U.S.A. contact:
International Division
Goodman Manufacturing Company, L.P.
7401 Security Way
Houston, Texas 77040
713-861-2500-Telephone
713-863-2382-Facsimile

Functional Parts

Part

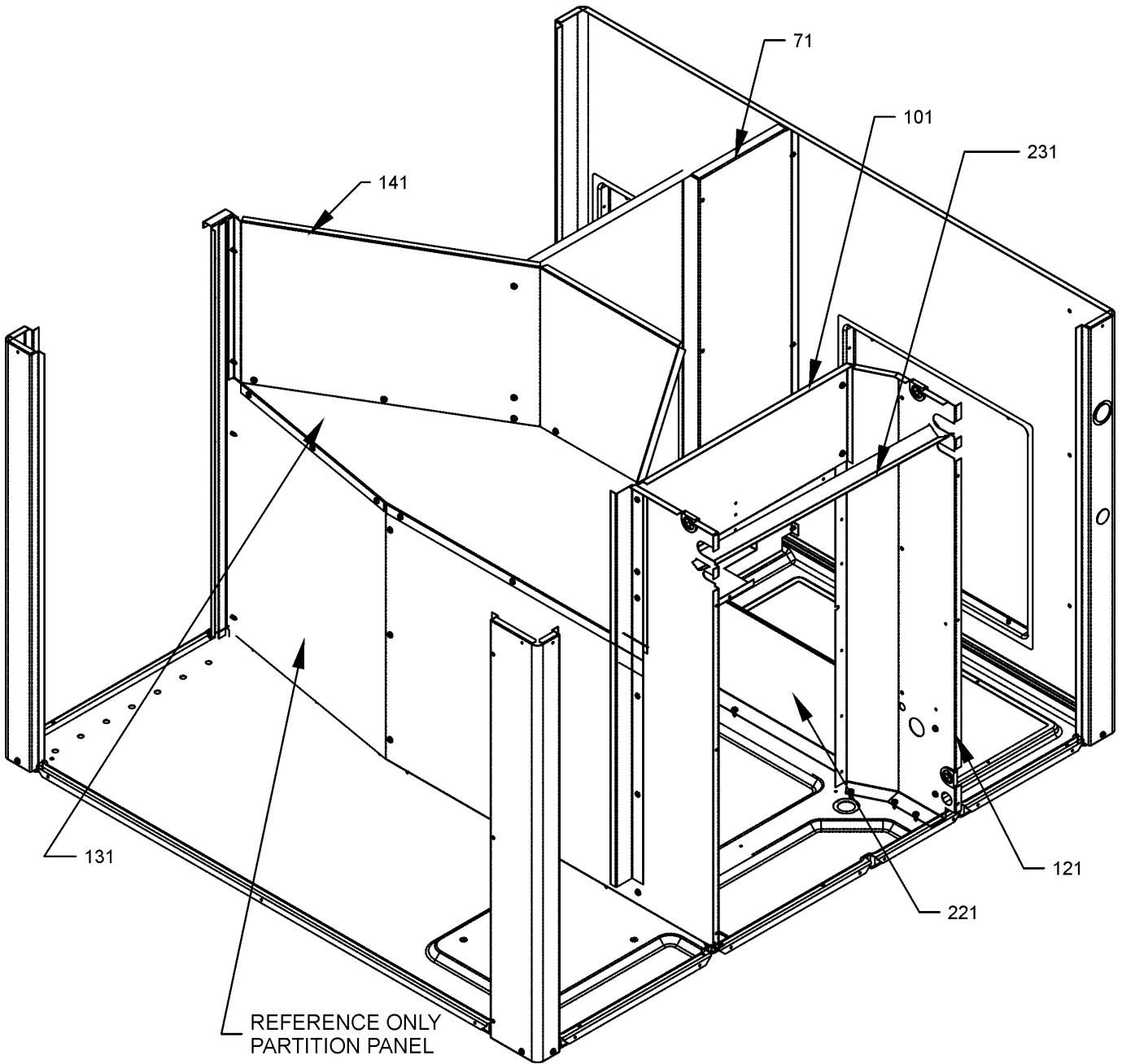
No: Description:

50N492ZV-ZAKM	2.0TONRECHI COMPR.4 LEGS (M1, M2)	0131G00054	PROGRAMMED MOTOR (M15)															
B1370751	24V RELAY (M1, M2, M3, M4, M5, M6, M7, M8, M9, M10, M11, M12)	0131G00010	PROGRAMMED MOTOR (M1, M2)															
0163F00017	BECKETT BURNER (QTY A/R)	0131G00012	PROGRAMMED MOTOR (M5, M6, M7)															
D6723303	BLOWER WHEEL (M5, M6, M7, M8, M9)	0131G00014	PROGRAMMED MOTOR (M10, M11, M12)															
B1368016	BLOWER WHEEL 10 X 8 (M1, M2, M3, M4)	0131G00015	PROGRAMMED MOTOR (M13)															
B1368000	BLOWER WHEEL 11 X 10 (M10, M11, M12, M13, M14, M15)	0131G00011	PROGRAMMED MOTOR (M3, M4)															
CAP050400440CT	CAPACITOR 5/40/440V/DUAL RD (M3, M4, M13, M14, M15)	0130M00138	TRANSFORMER 208/230, 24V															
CAP050450440CT	CAPACITOR 5/45/440V/DUAL RD (M1, M2, M5, M6, M7, M8, M9, M10, M11, M12)	0151M00047	VALVE, NXT (M13, M14, M15)															
ZPS51K5EPFV130	COMP, 51900/208/230/60/1 (M13, M14, M15)	Expanded Model Nomenclature																
ZP29K5EPFV130	COMP, 29000, 208/230/60/1 (M5, M6, M7)	<table border="1"> <tbody> <tr><td>M1 - GPG1424040M41AA</td></tr> <tr><td>M2 - GPG1424060M41AA</td></tr> <tr><td>M3 - GPG1430040M41AA</td></tr> <tr><td>M4 - GPG1430060M41AA</td></tr> <tr><td>M5 - GPG1436040M41AA</td></tr> <tr><td>M6 - GPG1436060M41AA</td></tr> <tr><td>M7 - GPG1436080M41AA</td></tr> <tr><td>M8 - GPG1442060M41AA</td></tr> <tr><td>M9 - GPG1442080M41AA</td></tr> <tr><td>M10 - GPG1448060M41AA</td></tr> <tr><td>M11 - GPG1448080M41AA</td></tr> <tr><td>M12 - GPG1448100M41AA</td></tr> <tr><td>M13 - GPG1460080M41AA</td></tr> <tr><td>M14 - GPG1460100M41AA</td></tr> <tr><td>M15 - GPG1460120M41AA</td></tr> </tbody> </table>		M1 - GPG1424040M41AA	M2 - GPG1424060M41AA	M3 - GPG1430040M41AA	M4 - GPG1430060M41AA	M5 - GPG1436040M41AA	M6 - GPG1436060M41AA	M7 - GPG1436080M41AA	M8 - GPG1442060M41AA	M9 - GPG1442080M41AA	M10 - GPG1448060M41AA	M11 - GPG1448080M41AA	M12 - GPG1448100M41AA	M13 - GPG1460080M41AA	M14 - GPG1460100M41AA	M15 - GPG1460120M41AA
M1 - GPG1424040M41AA																		
M2 - GPG1424060M41AA																		
M3 - GPG1430040M41AA																		
M4 - GPG1430060M41AA																		
M5 - GPG1436040M41AA																		
M6 - GPG1436060M41AA																		
M7 - GPG1436080M41AA																		
M8 - GPG1442060M41AA																		
M9 - GPG1442080M41AA																		
M10 - GPG1448060M41AA																		
M11 - GPG1448080M41AA																		
M12 - GPG1448100M41AA																		
M13 - GPG1460080M41AA																		
M14 - GPG1460100M41AA																		
M15 - GPG1460120M41AA																		
ZP25K5EPFV130	COMPRESSOR 25200, 208/230/60/1 (M3, M4)																	
ZP34K5EPFV130	COMPRESSOR 34500, 208/230/60/1 (M8, M9)																	
ZP39K5EPFV130	COMPRESSOR 39000, 208/230/60/1 (M10, M11, M12)																	
0131M00061	COND MOTOR 1/4 HP, 1 SP, 8 PL (M5, M6, M7)																	
0131M00429	COND MOTOR 1/4 HP, 1 SP, 6 PL (M3, M4, M8, M9, M10, M11, M12, M13, M14, M15)																	
0131M00009P	COND MOTOR, 1/6 HP, 1 SP, 8 PL (M1, M2)																	
CONT1P025024V	CONTACTOR 25 AMP, 1P, 24V (M1, M2, M3, M4, M5, M6, M7)																	
CONT1P030024V	CONTACTOR 30 AMP, 1P, 24V (M8, M9, M10, M11, M12)																	
CONT2P040024V	CONTACTOR 40 AMP, 2P, 24V (M13, M14, M15)																	
0130M00074	CUT-OUT SWITCH, HIGH PRESSURE																	
0130M00087	CUT-OUT SWITCH, LOW PRESSURE (M13, M14, M15)																	
B1086775	FAN BLADE (M3, M4)																	
B1086773	FAN BLADE 22" (M1, M2)																	
0150G00002	FAN BLADE SWEPT-WING (M5, M6, M7)																	
0150G00003	FAN BLADE SWEPT-WING (M8, M9, M10, M11, M12, M13, M14, M15)																	
0130F00010	FLAME SENSOR																	
0151F00000P	GAS VALVE - WHITE-RODGERS 2-STAGE (M13, M14, M15)																	
0151M00013	GAS VALVE (HW) SINGLE STAGE (M1, M2, M3, M4, M5, M6, M7, M8, M9, M10, M11, M12)																	
0131G00000P	ID BLOWER (M1, M2, M3, M4, M5, M6, M7, M8, M9, M10, M11, M12)																	
0131G00001	ID BLOWER (M13, M14, M15)																	
PCBAG123	IGNITION BOARD, DSI INTEGRATED (M1, M2, M3, M4, M5, M6, M7, M8, M9, M10, M11, M12)																	
PCBAG127	IGNITION BOARD, DSI, 2 STG (M13, M14, M15)																	
0130F00014	IGNITOR																	
10728343	LIMIT SWITCH (M13, M14, M15)																	
10728344	LIMIT SWITCH (M10, M11, M12)																	
10728342	LIMIT SWITCH (M1, M2, M3, M4, M5, M6, M7, M8, M9)																	
10123532	MANUAL RESET LIMIT 350°F (M1, M2, M3, M4, M5, M6, M7, M8, M9, M10, M11, M12)																	
10123529	MANUAL RESET LIMIT-GREEN (M13, M14, M15)																	
11112501	PRESSURE SWITCH																	
0131G00013	PROGRAMMED MOTOR (M8, M9)																	
0131G00053	PROGRAMMED MOTOR (M14)																	

Top Panel / Fan / Cabinet

Ref. Part No: No:	Description:	Ref. Part No: No:	Description:															
Image 1:		Image 1:																
11	B1086775 FAN BLADE (M3, M4)	261	0121G00454DG CORNER-POST HPIN END, PNT (M1, M2, M3, M4, M5, M6, M7, M8, M9)															
11	B1086773 FAN BLADE 22" (M1, M2)	261	0121G00456DG CORNER-POST HPIN END, PNT (M10, M11, M12, M13, M14, M15)															
11	0150G00002 FAN BLADE SWEPT-WING (M5, M6, M7)	NS	0121G00323 FLUE HOOD (QTY 2)															
11	0150G00003 FAN BLADE SWEPT-WING (M8, M9, M10, M11, M12, M13, M14, M15)	NS	0270G00131 FLUE HOOD ASSY															
21	0131M00061 COND MOTOR 1/4 HP, 1 SP, 8 PL (M5, M6, M7)	NS	0121G00190 FLUE HOOD-LOWER															
21	0131M00429 COND MOTOR 1/4 HP, 1 SP, 6 PL (M3, M4, M8, M9, M10, M11, M12, M13, M14, M15)	NS	B1910012 GAS LINE GROMMET															
21	0131M00009P COND MOTOR, 1/6 HP, 1 SP, 8 PL (M1, M2)	NS	17788000083F PVC CONDUIT 8.25"															
31	0152G00003 FAN GRILLE	NS	20472601 SCREEN-FLUE HOOD															
41	0121G00156PDG TOP PANEL	Expanded Model Nomenclature																
51	M0221817 SMALL SCREW (QTY 6)	<table border="1"> <tr><td>M1 - GPG1424040M41AA</td></tr> <tr><td>M2 - GPG1424060M41AA</td></tr> <tr><td>M3 - GPG1430040M41AA</td></tr> <tr><td>M4 - GPG1430060M41AA</td></tr> <tr><td>M5 - GPG1436040M41AA</td></tr> <tr><td>M6 - GPG1436060M41AA</td></tr> <tr><td>M7 - GPG1436080M41AA</td></tr> <tr><td>M8 - GPG1442060M41AA</td></tr> <tr><td>M9 - GPG1442080M41AA</td></tr> <tr><td>M10 - GPG1448060M41AA</td></tr> <tr><td>M11 - GPG1448080M41AA</td></tr> <tr><td>M12 - GPG1448100M41AA</td></tr> <tr><td>M13 - GPG1460080M41AA</td></tr> <tr><td>M14 - GPG1460100M41AA</td></tr> <tr><td>M15 - GPG1460120M41AA</td></tr> </table>		M1 - GPG1424040M41AA	M2 - GPG1424060M41AA	M3 - GPG1430040M41AA	M4 - GPG1430060M41AA	M5 - GPG1436040M41AA	M6 - GPG1436060M41AA	M7 - GPG1436080M41AA	M8 - GPG1442060M41AA	M9 - GPG1442080M41AA	M10 - GPG1448060M41AA	M11 - GPG1448080M41AA	M12 - GPG1448100M41AA	M13 - GPG1460080M41AA	M14 - GPG1460100M41AA	M15 - GPG1460120M41AA
M1 - GPG1424040M41AA																		
M2 - GPG1424060M41AA																		
M3 - GPG1430040M41AA																		
M4 - GPG1430060M41AA																		
M5 - GPG1436040M41AA																		
M6 - GPG1436060M41AA																		
M7 - GPG1436080M41AA																		
M8 - GPG1442060M41AA																		
M9 - GPG1442080M41AA																		
M10 - GPG1448060M41AA																		
M11 - GPG1448080M41AA																		
M12 - GPG1448100M41AA																		
M13 - GPG1460080M41AA																		
M14 - GPG1460100M41AA																		
M15 - GPG1460120M41AA																		
61	0163M00006P ACORN NUT 5/16 HEX BLACK (QTY 4)																	
71	20464801PDG BLOWER DOOR 32" (M1, M2, M3, M4, M5, M6, M7, M8, M9)																	
71	20464806PDG BLOWER DOOR 40" (M10, M11, M12, M13, M14, M15)																	
81	20464802PDG EVAP/CONTROL DOOR 32" (M1, M2, M3, M4, M5, M6, M7, M8, M9)																	
81	20464807PDG EVAP/CONTROL DOOR-40 (M10, M11, M12, M13, M14, M15)																	
91	0121G00526DG HEAT EXCHANGER DOOR 32" (M1, M2, M3, M4, M5, M6, M7, M8, M9)																	
91	0121G00527DG HEAT EXCHANGER DOOR 40" (M10, M11, M12, M13, M14, M15)																	
101	20464804PDG COMPRESSOR DOOR 32" (M1, M2, M3, M4, M5, M6, M7, M8, M9)																	
101	20464809PDG COMPRESSOR DOOR 40" (M10, M11, M12, M13, M14, M15)																	
111	0121G00465DG COND SIDE PANEL- 32 (M5, M6, M7)																	
111	0121G00467DG COND SIDE PANEL-40 (M13, M14, M15)																	
111	20467701PDG LOUVERED PANEL, COND SIDE 32" (M1, M2, M3, M4, M8, M9)																	
111	20467702PDG LOUVERED PANEL, COND SIDE 40" (M10, M11, M12)																	
121	20466101PDG UTILITY PANEL 32" (M1, M2, M3, M4, M5, M6, M7, M8, M9)																	
121	20466102PDG UTILITY PANEL 40" (M10, M11, M12, M13, M14, M15)																	
131	0121G00442DG PNL, DUCT, GAS 32.5" (M1, M2, M3, M4, M5, M6, M7, M8, M9)																	
131	0121G00443DG PNL, DUCT, GAS 40" (M10, M11, M12, M13, M14, M15)																	
141	0121G00460 POST-SUPPORT, SIDE (M1, M2, M3, M4, M5, M6, M7, M8, M9)																	
141	0121G00462 POST-SUPPORT, SIDE (M10, M11, M12, M13, M14, M15)																	
161	20464401PDG LOUVERED PANEL, COND SIDE 32" (M1, M2, M3, M4, M5, M6, M7, M8, M9)																	
161	20464402PDG LOUVERED PANEL, COND SIDE 40" (M10, M11, M12, M13, M14, M15)																	
181	0121G00290 BASE PAN RAIL (QTY 2)																	
251	20464201PDG CORNER POST-COMP END 32" (M1, M2, M3, M4)																	
251	20464202PDG CORNER POST-COMP END 40" (M10, M11, M12)																	
251	0121G00453DG CORNER-POST COMP END, PNT (M5, M6, M7, M8, M9)																	
251	0121G00455DG CORNER-POST COMP END, PNT (M13, M14, M15)																	

Partition Assembly



Partition Assembly

Ref. Part No:	No:	Description:	Ref. Part No:	No:	Description:
<i>Image 1:</i>					
71	20465302	BLOWER DIVIDER (M10, M11, M12, M13, M14, M15)			
71	20465305	BLOWER DIVIDER (M1, M2, M3, M4)			
71	20465304	BLOWER DIVIDER 32" 10 X 9 (M5, M6, M7, M8, M9)			
101	20465201	FILLER PANEL, HEAT EXCHANGER 32" (M1, M2, M3, M4, M5, M6, M7, M8, M9)			
101	20465202	FILLER PANEL, HEAT EXCHANGER 40" (M10, M11, M12, M13, M14, M15)			
121	20465501	EVAP/HEAT EXCHANGER DIVIDER 32" (M1, M2, M3, M4, M5, M6, M7, M8, M9)			
121	20465502	EVAP/HEAT EXCHANGER DIVIDER 38" (M10, M11, M12, M13, M14, M15)			
131	20465701	FAN PARTITION SHELF			
141	20465801	FAN SURROUND 32" (M1, M2, M3, M4, M5, M6, M7, M8, M9)			
141	20465802	FAN SURROUND 40" (M10, M11, M12, M13, M14, M15)			
221	20463802	EVAP/BASEPAN BLOCK 32" (M1, M2, M3, M4, M5, M6, M7, M8, M9)			
221	20463801	EVAP/BASEPAN BLOCK 40" (M10, M11, M12, M13, M14, M15)			
231	0121G00555	DRAIN CHANNEL, SUCTION TUBE			

Expanded Model Nomenclature

- M1 - GPG1424040M41AA
- M2 - GPG1424060M41AA
- M3 - GPG1430040M41AA
- M4 - GPG1430060M41AA
- M5 - GPG1436040M41AA
- M6 - GPG1436060M41AA
- M7 - GPG1436080M41AA
- M8 - GPG1442060M41AA
- M9 - GPG1442080M41AA
- M10 - GPG1448060M41AA
- M11 - GPG1448080M41AA
- M12 - GPG1448100M41AA
- M13 - GPG1460080M41AA
- M14 - GPG1460100M41AA
- M15 - GPG1460120M41AA

Basepan / Blower Assembly

Image 1

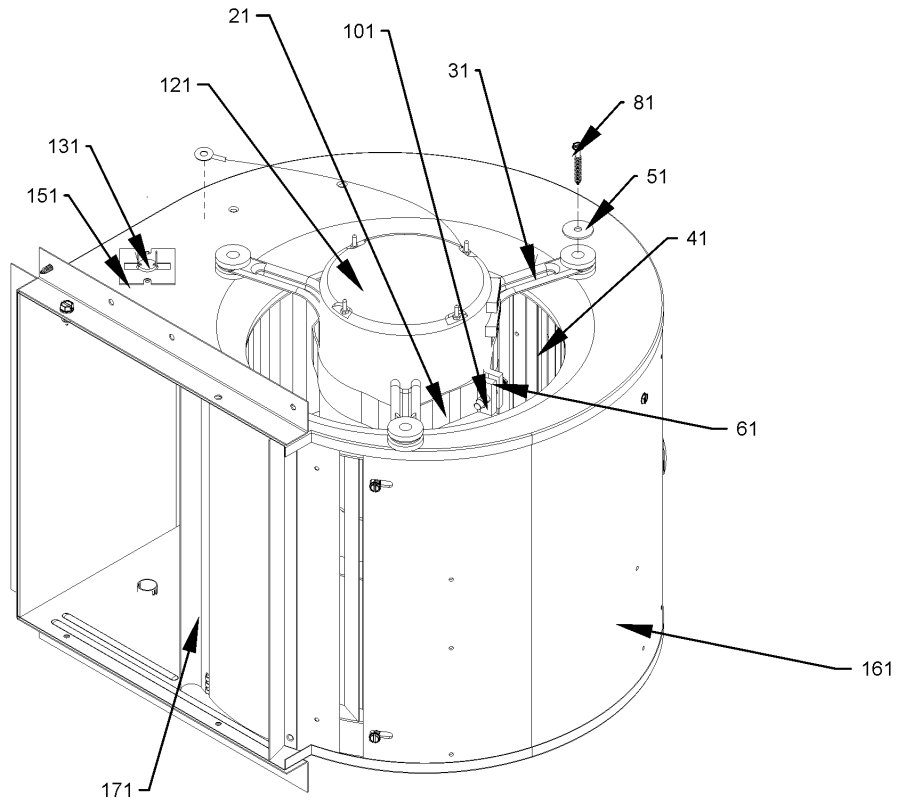
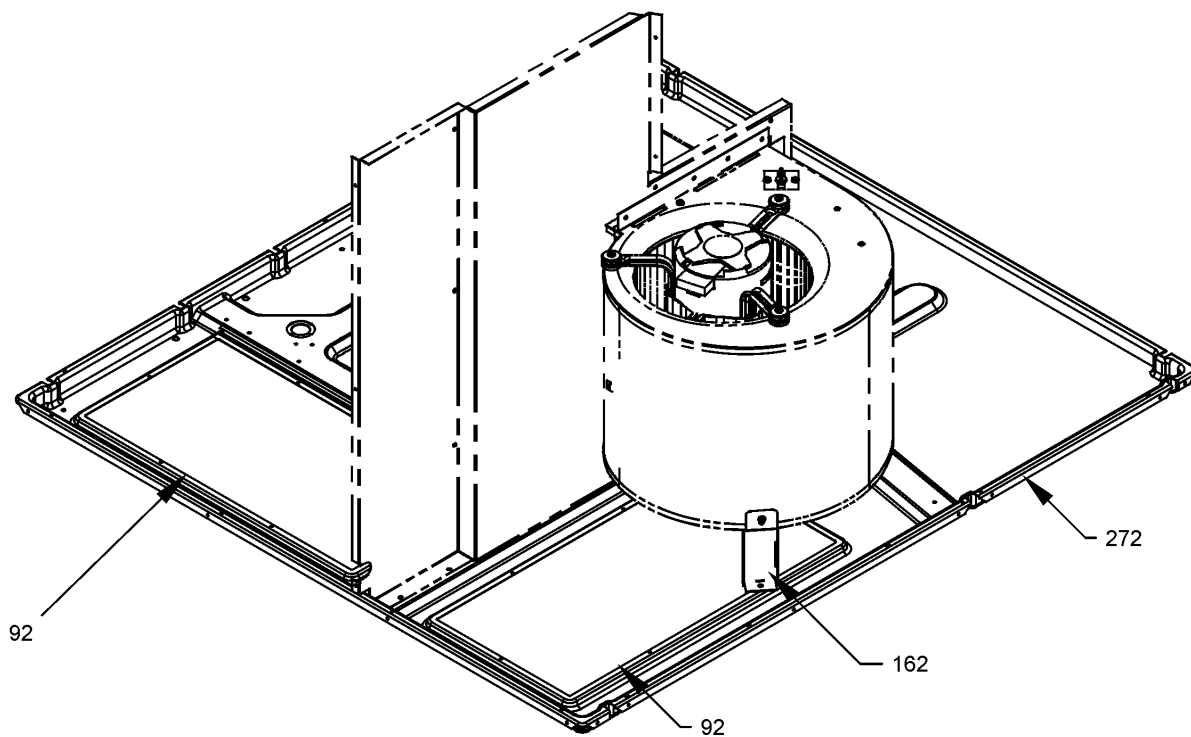


Image 2



Basepan / Blower Assembly

Ref. Part No: No:	Description:	Ref. Part No: No:	Description:
Image 1:			
21	0121M00038		MOTOR MOUNT BAND
31	B1376857		MOTOR MOUNT ARM (QTY 3)
41	D6723303		BLOWER WHEEL (M5, M6, M7, M8, M9)
41	B1368016		BLOWER WHEEL 10 X 8 (M1, M2, M3, M4)
41	B1368000		BLOWER WHEEL 11 X 10 (M10, M11, M12, M13, M14, M15)
51	B1392918		WASHER FLAT 1/4 ID X 1 OD (QTY 3)
61	B1393323		MACHINE SCREW HWH 1/4-20 X 1-1/2 BZ
81	M0250565		TC SCREW 1.25" (QTY 3)
101	B1393800		LOCKNUT, NYLON, INSERT 1/4, 20
121	0131G00010		PROGRAMMED MOTOR (M1, M2)
121	0131G00011		PROGRAMMED MOTOR (M3, M4)
121	0131G00012		PROGRAMMED MOTOR (M5, M6, M7)
121	0131G00013		PROGRAMMED MOTOR (M8, M9)
121	0131G00014		PROGRAMMED MOTOR (M10, M11, M12)
121	0131G00015		PROGRAMMED MOTOR (M13)
121	0131G00053		PROGRAMMED MOTOR (M14)
121	0131G00054		PROGRAMMED MOTOR (M15)
131	20269903		AUXILIARY LIMIT, AUTO RESET
151	2509503F		AUXILIARY LIMIT BRACKET
151	2509503F		AUXILIARY LIMIT BRACKET
161	0271G00025		BLOWER HOUSING ASSY 10 X 8 (M1, M2, M3, M4)
161	0271G00024		BLOWER HOUSING ASSY 10 X 9 (M5, M6, M7, M8, M9)
161	2539309		BLOWER HOUSING ASSY 11 X 10 (M10, M11, M12, M13, M14, M15)
171	764742		BLOWER BLOCK-OFF (M5, M6, M7, M8, M9)
171	764740		BLOWER BLOCK-OFF 10 X 8 (M1, M2, M3, M4)
171	1864703F		BLOWER CUT-OFF (M10, M11, M12, M13, M14, M15)

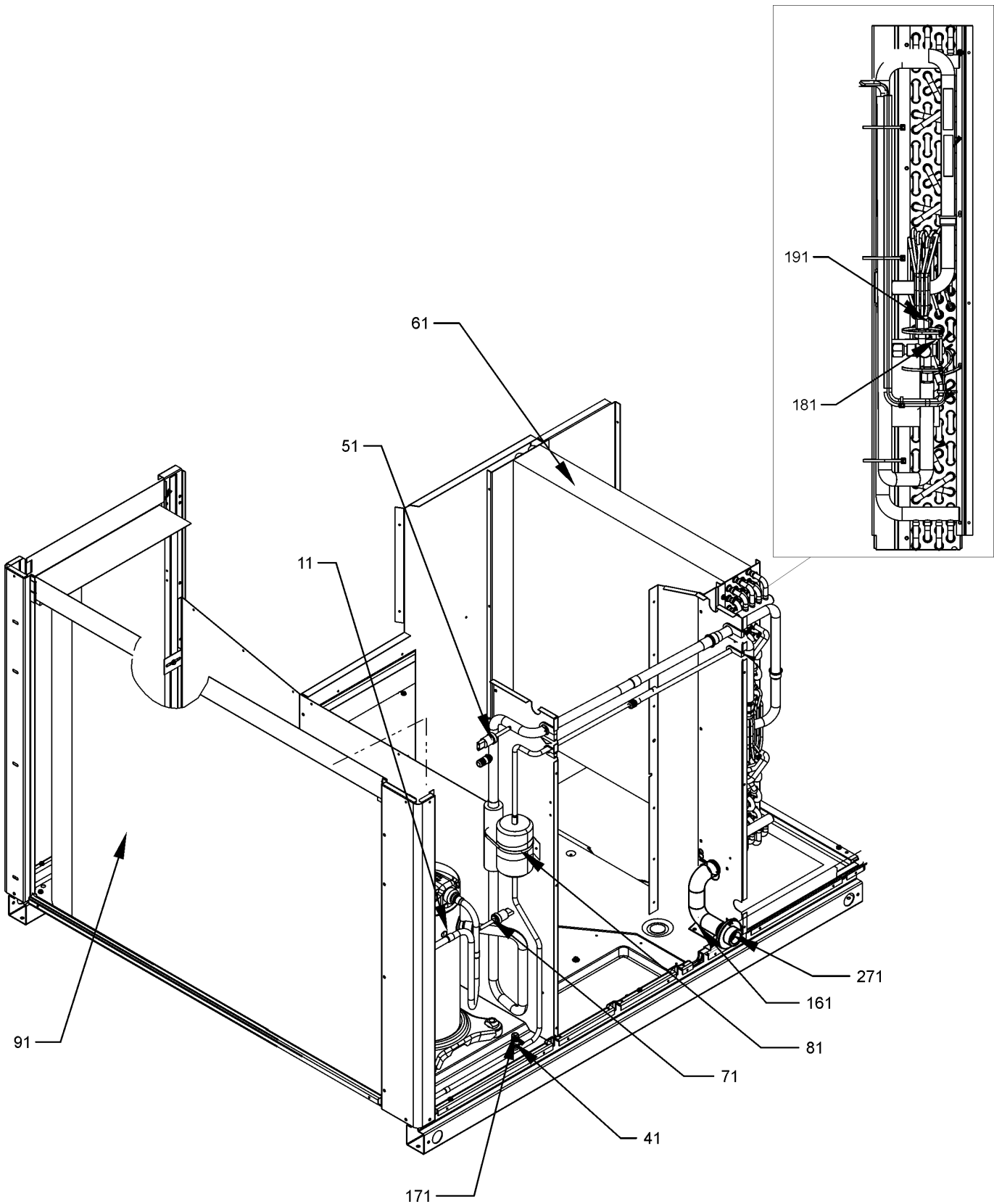
Image 2:

92	0121G00148		SINGLE COVER, DOWN DISCHARGE (QTY 2)
162	4322801		11 X 10 BLOWER SUPPORT LRG (M10, M11, M12, M13, M14, M15)
272	0121G00444		BASEPAN, PACKAGE

Expanded Model Nomenclature

M1 - GPG1424040M41AA
M2 - GPG1424060M41AA
M3 - GPG1430040M41AA
M4 - GPG1430060M41AA
M5 - GPG1436040M41AA
M6 - GPG1436060M41AA
M7 - GPG1436080M41AA
M8 - GPG1442060M41AA
M9 - GPG1442080M41AA
M10 - GPG1448060M41AA
M11 - GPG1448080M41AA
M12 - GPG1448100M41AA
M13 - GPG1460080M41AA
M14 - GPG1460100M41AA
M15 - GPG1460120M41AA

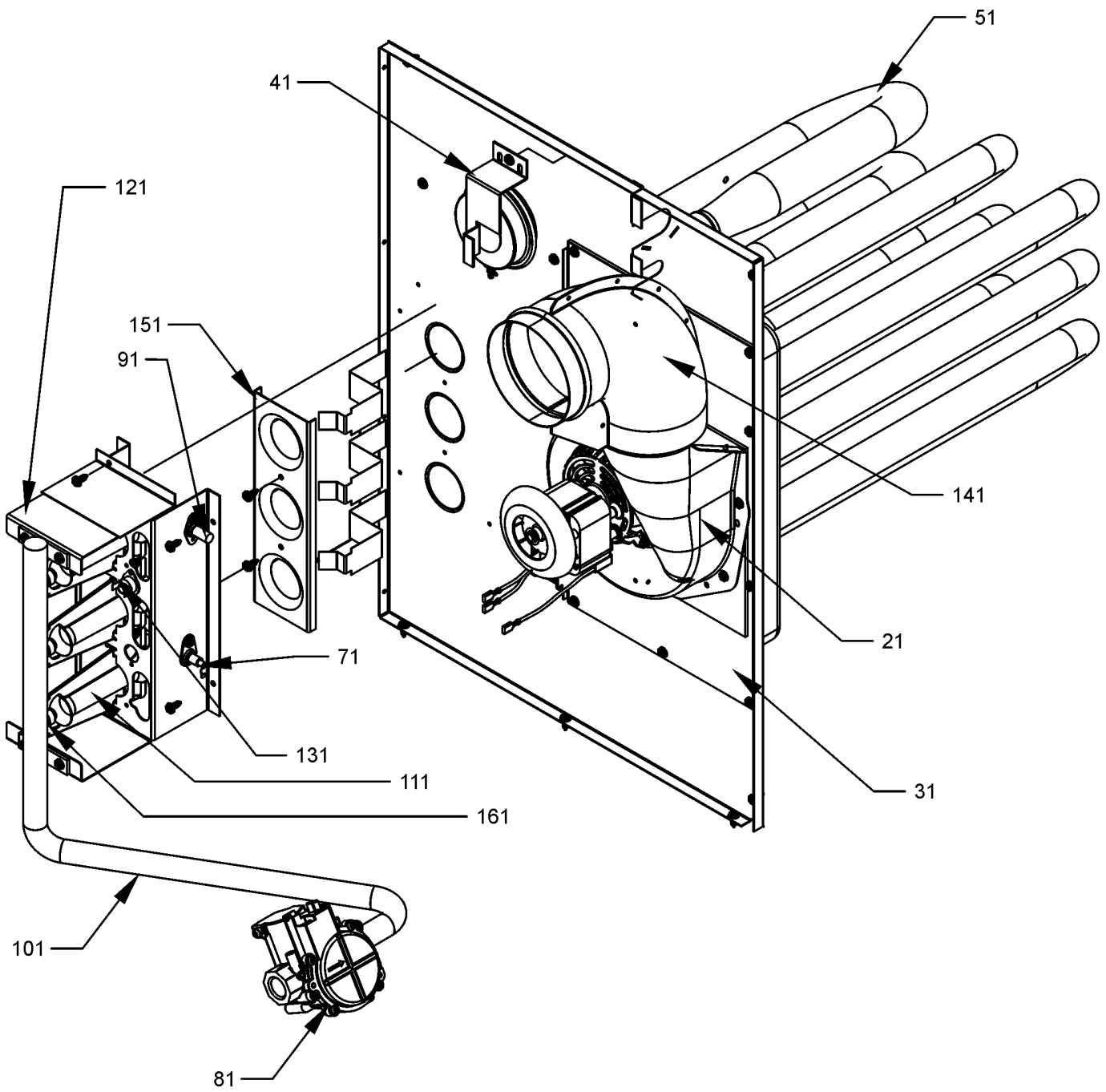
Compressor / Tubing Assembly



Compressor / Tubing Assembly

Ref. Part No: No:	Description:	Ref. Part No: No:	Description:
Image 1:		Image 1:	
11	50N492ZV-ZAKM 2.0TONRECHI COMPR.4 LEGS (M1, M2)	NS	0163M00186 TF SHOULDER SCREW (M1, M2)
11	ZPS51K5EPFV130 COMP, 51900/208/230/60/1 (M13, M14, M15)	NS	M0221641 TF SHOULDER SCREW (M3, M4, M5, M6, M7, M8, M9, M10, M11, M12, M13, M14, M15)
11	ZP29K5EPFV130 COMP,29000,208/230/60/1 (M5, M6, M7)	NS	M0221641 TF SHOULDER SCREW (M3, M4, M5, M6, M7, M8, M9, M10, M11, M12, M13, M14, M15)
11	ZP25K5EPFV130 COMPRESSOR 25200, 208/230/60/1 (M3, M4)	NS	60100201 WASHER - RECHI COMPRESSOR (M1, M2)
11	ZP34K5EPFV130 COMPRESSOR 34500, 208/230/60/1 (M8, M9)	Expanded Model Nomenclature	
11	ZP39K5EPFV130 COMPRESSOR 39000, 208/230/60/1 (M10, M11, M12)	M1 - GPG1424040M41AA	
41	B1373315 ACCESS FITTING (QTY 2)	M2 - GPG1424060M41AA	
51	0130M00087 CUT-OUT SWITCH, LOW PRESSURE (M13, M14, M15)	M3 - GPG1430040M41AA	
61	0202G00532 EVAPORATOR COIL ASSY (M13, M14, M15)	M4 - GPG1430060M41AA	
61	0202G00541 EVAPORATOR COIL ASSY (M1, M2)	M5 - GPG1436040M41AA	
61	0202G00543 EVAPORATOR COIL ASSY (M3, M4)	M6 - GPG1436060M41AA	
61	0202G00544 EVAPORATOR COIL ASSY (M5, M6, M7)	M7 - GPG1436080M41AA	
61	0202G00545 EVAPORATOR COIL ASSY (M8, M9)	M8 - GPG1442060M41AA	
61	0202G00546 EVAPORATOR COIL ASSY (M10, M11, M12)	M9 - GPG1442080M41AA	
71	0130M00074 CUT-OUT SWITCH, HIGH PRESSURE	M10 - GPG1448060M41AA	
81	0162R00009 FILTER DRIER (M13, M14, M15)	M11 - GPG1448080M41AA	
81	B1219212 SINGLE-FLOW FILTER DRIER, STEEL (M1, M2, M3, M4, M5, M6, M7)	M12 - GPG1448100M41AA	
81	B1219225 SINGLE-FLOW FILTER DRIER, STEEL (M8, M9, M10, M11, M12)	M13 - GPG1460080M41AA	
91	0201G00139 COND COIL TUBING ASSY (M10, M11, M12)	M14 - GPG1460100M41AA	
91	0201G00142 COND COIL TUBING ASSY (M1, M2, M3, M4)	M15 - GPG1460120M41AA	
91	0201G00249 COND COIL TUBING ASSY (M5, M6, M7)		
91	0201G00252 COND COIL TUBING ASSY (M13, M14, M15)		
91	0201G00262 COND COIL TUBING ASSY (M8, M9)		
161	20498302 DRAIN TUBE 32" (M1, M2, M3, M4, M5, M6, M7, M8, M9)		
161	20498301 DRAIN TUBE 40" (M10, M11, M12, M13, M14, M15)		
171	0163M00175 CAP WITH O-RING (QTY 2)		
181	0151M00047 VALVE, NXT (M13, M14, M15)		
191	0162M00171 FLOWRATOR (M8, M9)		
191	0162M00176 FLOWRATOR (M3, M4)		
191	0162M00178 FLOWRATOR (M13, M14, M15)		
191	0162M00194 FLOWRATOR (M1, M2)		
191	0162M00195 FLOWRATOR (M5, M6, M7)		
191	0162M00284 FLOWRATOR (M10, M11, M12)		
271	20513001 EVAP DRAIN FITTING		
NS	0259G00023 BLOWER HARNESS (M10, M11, M12)		
NS	0259G00209 BLOWER HARNESS (M1, M2, M3, M4, M5, M6, M7, M8, M9)		
NS	B1339533 COMPRESSOR GROMMET (M3, M4, M5, M6, M7, M8, M9, M10, M11, M12, M13, M14, M15)		
NS	0159G00002 COMPRESSOR SCROLL HARNESS (M3, M4, M5, M6, M7)		
NS	0159G00005 COMPRESSOR SCROLL HARNESS (M13, M14, M15)		
NS	0159G00006 COMPRESSOR SCROLL HARNESS (M10, M11, M12)		
NS	0159G00009 COMPRESSOR SCROLL HARNESS (M8, M9)		
NS	0159G00001 COMPRESSOR SOLENOID CABLE (M13, M14, M15)		
NS	20464901DF DRAIN PAN-EVAP COIL		
NS	60140209 GROMMET - RECHI COMPRESSOR (M1, M2)		
NS	B1810011 HOSE CLAMP 1.25 (QTY 2)		
NS	60100107 TERMINAL COVER GASKET (M1, M2)		
NS	60100401 TERMINAL NUT - RECHI COMP (M1, M2)		

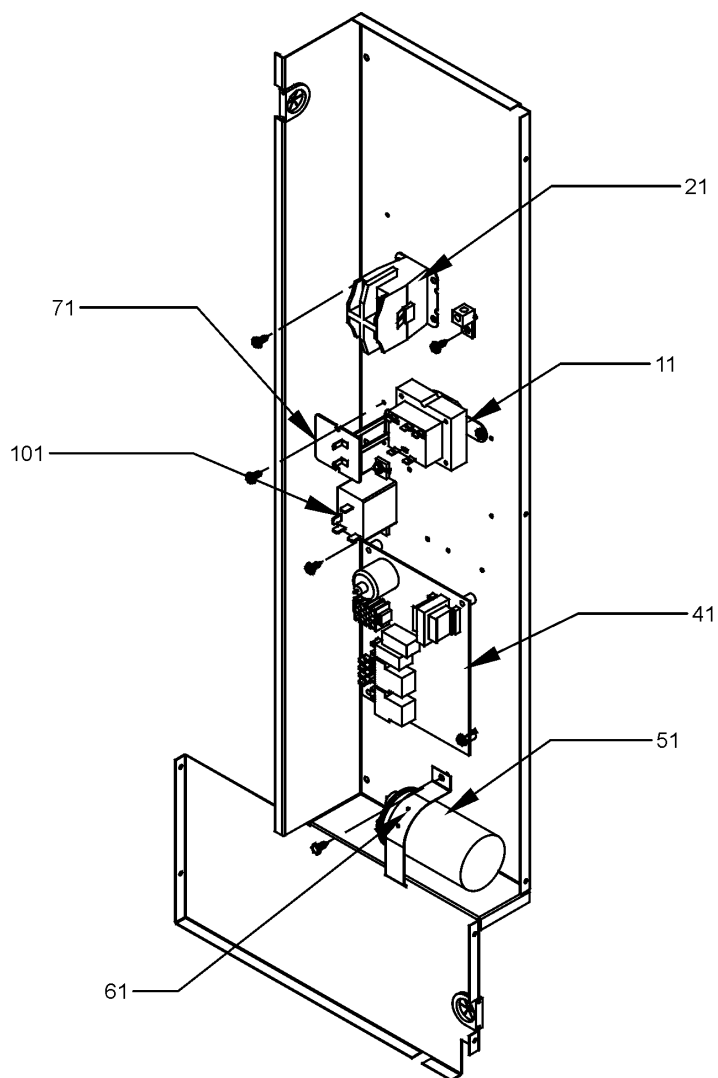
Heat Exchanger / Manifold / Gas Valve



Heat Exchanger / Manifold / Gas Valve

Ref. Part No:	Description:	Ref. Part No:	Description:
Image 1:		Expanded Model Nomenclature	
21	0131G00000P ID BLOWER (M1, M2, M3, M4, M5, M6, M7, M8, M9, M10, M11, M12)	M1 - GPG1424040M41AA	
21	0131G00001 ID BLOWER (M13, M14, M15)	M2 - GPG1424060M41AA	
31	0121G00583 PLATE-ID BLWR LRG BRNR (M10)	M3 - GPG1430040M41AA	
31	0121G00584 PLATE-ID BLWR LRG BRNR (M11, M13)	M4 - GPG1430060M41AA	
31	0121G00580 PLATE-ID BLWR LRG 4 BRNR (M7, M9)	M5 - GPG1436040M41AA	
31	0121G00581 PLATE-ID BLWR LRG 5 BRNR (M12)	M6 - GPG1436060M41AA	
31	0121G00582 PLATE-ID BLWR LRG 6 BRNR (M14)	M7 - GPG1436080M41AA	
31	0121G00578 PLATE-ID BLWR SML 2 BRNR (M1, M3, M5)	M8 - GPG1442060M41AA	
31	0121G00579 PLATE-ID BLWR SML 3 BRNR (M2, M4, M6, M8)	M9 - GPG1442080M41AA	
41	11112501 PRESSURE SWITCH	M10 - GPG1448060M41AA	
51	20490714 ASSY, PART/TUBE (M1, M3, M5)	M11 - GPG1448080M41AA	
51	20490716 ASSY, PART/TUBE (M10)	M12 - GPG1448100M41AA	
51	20490707 PART/TUBE ASSY 3B (M2, M4, M6, M8)	M13 - GPG1460080M41AA	
51	20490703 PART/TUBE ASSY 4B (M7, M9)	M14 - GPG1460100M41AA	
51	20490704 PART/TUBE ASSY 4B (M11, M13)	M15 - GPG1460120M41AA	
51	20490705 PART/TUBE ASSY 5B (M12, M14)		
51	20490706 PART/TUBE ASSY 6B (M15)		
71	0130F00014 IGNITOR		
81	0151F00000P GAS VALVE - WHITE-RODGERS 2-STAGE (M13, M14, M15)		
81	0151M00013 GAS VALVE (HW) SINGLE STAGE (M1, M2, M3, M4, M5, M6, M7, M8, M9, M10, M11, M12)		
91	0130F00010 FLAME SENSOR		
101	0121M00035P MANIFOLD - 2 BRNR (M1, M3, M5)		
101	0121M00036P MANIFOLD - 3 BRNR (M10)		
101	20493103 MANIFOLD - 3 BRNR (M2, M4, M6, M8)		
101	20493104 MANIFOLD - 4 BRNR (M7, M9)		
101	20493105 MANIFOLD - 4 BRNR (M11, M13)		
101	20493106 MANIFOLD - 5 BRNR (M12, M14)		
101	20493107 MANIFOLD - 6 BRNR (M15)		
111	0163F00017 BECKETT BURNER (QTY A/R)		
121	20190410 BURNER BRACKET 2B (M1, M3, M5)		
121	20190411 BURNER BRACKET 3B (M2, M4, M6, M8, M10)		
121	20190412 BURNER BRACKET 4B (M7, M9, M11, M13)		
121	20190413 BURNER BRACKET 5B (M12, M14)		
121	0121F00145 BURNER BRACKET 6B (M15)		
131	10123532 MANUAL RESET LIMIT 350°F (M1, M2, M3, M4, M5, M6, M7, M8, M9, M10, M11, M12)		
131	10123529 MANUAL RESET LIMIT-GREEN (M13, M14, M15)		
141	20484401 FLUE ELBOW LEFT		
141	20484402 FLUE ELBOW RIGHT		
151	11072201 ORIFICE SHIELD (M1, M3, M5)		
151	11072202 ORIFICE SHIELD (M2, M4, M6, M8, M10)		
151	11072203 ORIFICE SHIELD (M7, M9, M11, M13)		
151	11072204 ORIFICE SHIELD (M12, M14)		
151	11072205 ORIFICE SHIELD (M15)		
161	0163F00004 ORIFICE (QTY A/R)		
NS	20463001 ID BLOWER PLATE GASKET LRG (M10, M11, M12, M13, M14, M15)		
NS	20462801 ID BLOWER PLATE GASKET SML (M1, M2, M3, M4, M5, M6, M7, M8, M9)		

Control Panel



Control Panel

Ref. Part No:	No:	Description:	Ref. Part No:	No:	Description:
Image 1:					
11	0130M00138	TRANSFORMER 208/230, 24V			
21	CONT1P025024V	CONTACTOR 25 AMP, 1P, 24V (M1, M2, M3, M4, M5, M6, M7)			
21	CONT1P030024V	CONTACTOR 30 AMP, 1P, 24V (M8, M9, M10, M11, M12)			
21	CONT2P040024V	CONTACTOR 40 AMP, 2P, 24V (M13, M14, M15)			
41	PCBAG123	IGNITION BOARD, DSI INTEGRATED (M1, M2, M3, M4, M5, M6, M7, M8, M9, M10, M11, M12)			
41	PCBAG127	IGNITION BOARD, DSI, 2 STG (M13, M14, M15)			
51	CAP050400440CT	CAPACITOR 5/40/440V/DUAL RD (M3, M4, M13, M14, M15)			
51	CAP050450440CT	CAPACITOR 5/45/440V/DUAL RD (M1, M2, M5, M6, M7, M8, M9, M10, M11, M12)			
61	20520901	CAPACITOR STRAP			
71	10728342	LIMIT SWITCH (M1, M2, M3, M4, M5, M6, M7, M8, M9)			
71	10728343	LIMIT SWITCH (M13, M14, M15)			
71	10728344	LIMIT SWITCH (M10, M11, M12)			
101	B1370751	24V RELAY (M1, M2, M3, M4, M5, M6, M7, M8, M9, M10, M11, M12)			
NS	0259G00143	ECONOMIZER HARNESS (M10, M11, M12)			
NS	0259G00083	HARNESS-CONTROL, FAN (M10, M11, M12)			
NS	0259G00117	HARNESS-CONTROL, FAN (M13, M14, M15)			
NS	0259G00207	HARNESS-CONTROL, FAN (M1, M2, M3, M4, M5, M6, M7, M8, M9)			
NS	0259G00113	PLUG ASSY, 12 PIN MALE (M10, M11, M12)			
NS	0259G00044	WIRE HARNESS, 9 CIRCUIT (M13, M14, M15)			
NS	0259G00031	WIRE HARNESS, ECONOMIZER (M13, M14, M15)			

Expanded Model Nomenclature

M1 - GPG1424040M41AA
M2 - GPG1424060M41AA
M3 - GPG1430040M41AA
M4 - GPG1430060M41AA
M5 - GPG1436040M41AA
M6 - GPG1436060M41AA
M7 - GPG1436080M41AA
M8 - GPG1442060M41AA
M9 - GPG1442080M41AA
M10 - GPG1448060M41AA
M11 - GPG1448080M41AA
M12 - GPG1448100M41AA
M13 - GPG1460080M41AA
M14 - GPG1460100M41AA
M15 - GPG1460120M41AA